



## AST - 14 PENDANT MOUNT HAZARDOUS AREA STROBE WARNING LIGHT

### COMPLIANCES:

Class I - Div. 2, Groups A,B,C,D  
Class II - Groups E,F,G  
Class III - Enclosure 3, Temp Code T3C or T2D  
CSA# - LR56828-2  
\*\* Type 3 and/or 4X ( where applicable )



Visual and Visual - Audible Signal Appliances,  
Fire Alarm for Use in Hazardous Locations

24 VDC input - 4 wire Clear Lens Only

### APPLICATIONS:

- to visually indicate warnings or hazards in high noise level areas where audible signals may not be heard
- to indicate the starting and stopping of operations in a manufacturing environment
- to indicate faulty equipment

### FEATURES:

- solid state power supply
- low power consumption (12 watts)
- intensity 2,000,000 candlepower (peak)
- Polycarbonate fresnel lens
- cast zinc alloy housing with a grey epoxy finish for superior corrosion resistance
- may be operated in any position
- designed for intermittent visual signalling as well as longer duration signalling applications
- lens sealed in guard
- flash rate - 60 flashes/minute
- flash tube life - minimum 10 million flashes at 60 flashes/minute
- 3/4" conduit entry
- weatherproof



Made in Canada



 **Applied Strobe Technology Company Limited**  
INDUSTRIAL STROBE WARNING LIGHTS

8345 Stanley Avenue, Niagara Falls, Ontario, Canada L2E 6X8 905-374-3077, Fax 905-374-6114

U.S. Address: 2315 Whirlpool St., Suite #182, Niagara Falls, NY 14305

e-mail: [ast@vaxxine.com](mailto:ast@vaxxine.com)

[www.appliedstrobe.com](http://www.appliedstrobe.com)

## Temperature Range

-40 C to +85 C

## Electrical Ratings

90 to 130 VAC 50/60Hz .118 amps to .095 amps (avg.)  
220 to 250 VAC 50/60Hz .065 amps to .058 amps (avg.)  
10 to 30 VDC .8 amps to .4 amps (avg.)  
90 to 130 VDC .125 amps to .075 amps (avg.)  
220 to 250 VDC .070 amps max (avg.)  
50 to 60 VDC .4 amps max (avg.)  
24 VDC .45 amps max (avg.)

## Ordering Information

Model No	Input Voltage
AST-14-90-130-AC	90 - 130 VAC
AST-14-220-250-AC	220 - 250 VAC
AST-14-10-30-DC	10 - 30 VDC
AST-14-90-130-DC	90 - 130 VDC
AST-14-220-250-DC	220 - 250 VDC
AST-14-50-60-DC	50 - 60 VDC
AST-14-24-DC	24 VDC

## Lens Colors

AM - Amber Lens  
BL - Blue Lens  
RE - Red Lens  
GR - Green Lens  
CL - Clear Lens

## Ordering Example

AST-14-10-30-DC-RE

## ULC Approved

AST-14-24-DC-CL-ULC

## Replacement Parts

### Circuit Board

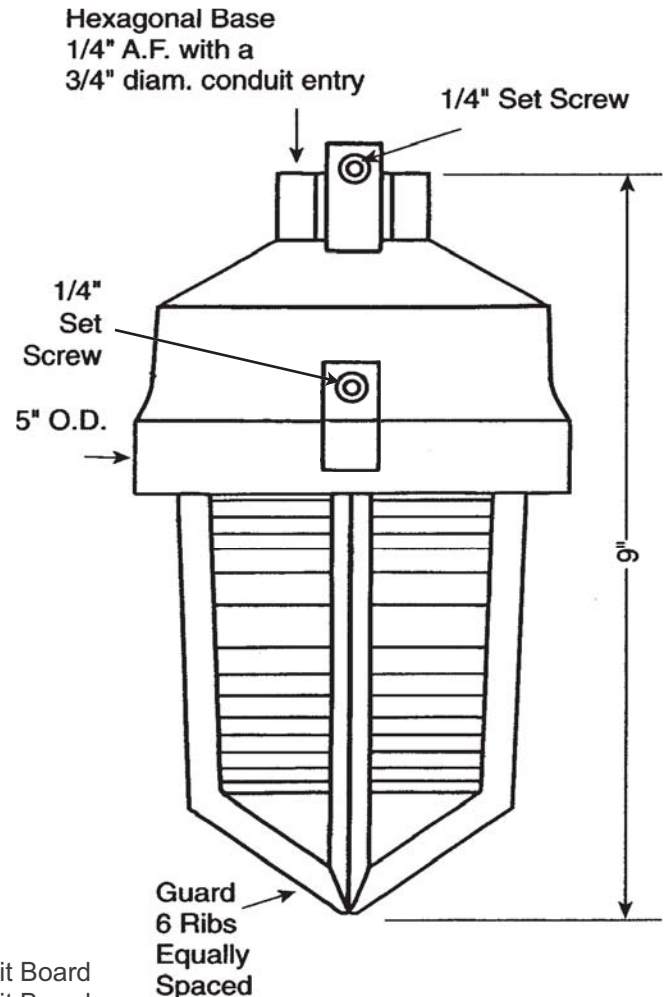
AST-14 - 90-130-AC -Board	90 - 130 VAC	Circuit Board
AST-14-220-250-AC -Board	220 - 250 VAC	Circuit Board
AST-14 - 10 - 30-DC -Board	10 - 30 VDC	Circuit Board
AST-14 - 90-130-DC -Board	90 - 130 VDC	Circuit Board
AST-14-220-250-DC -Board	220 - 250 VDC	Circuit Board
AST-14 - 50 - 60-DC -Board	50 - 60 VDC	Circuit Board
AST-14 - 24-DC -Board -ULC	24 VDC	4 wire Circuit Board

### Flash Tube

AST-FT 3050 Flash Tube

### Lenses

AST-14-Guard-Lens-RE	Red Lens
AST-14-Guard-Lens-AM	Amber Lens
AST-14-Guard-Lens-BL	Blue Lens
AST-14-Guard-Lens-GR	Green Lens
AST-14-Guard-Lens-CL	Clear Lens



**PENDANT MOUNT HAZARDOUS AREA STROBE**